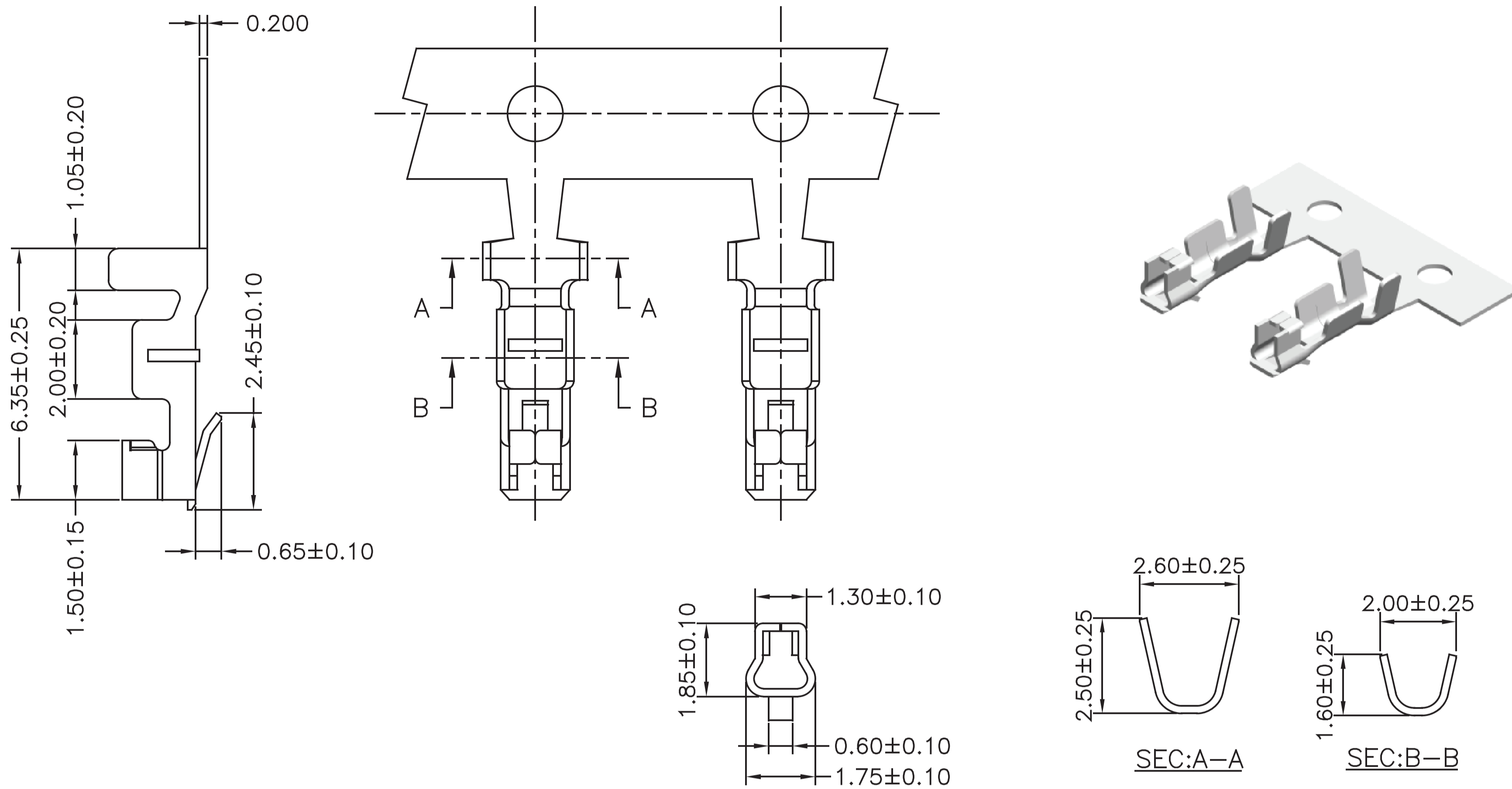


2.5mm Terminal / Housing



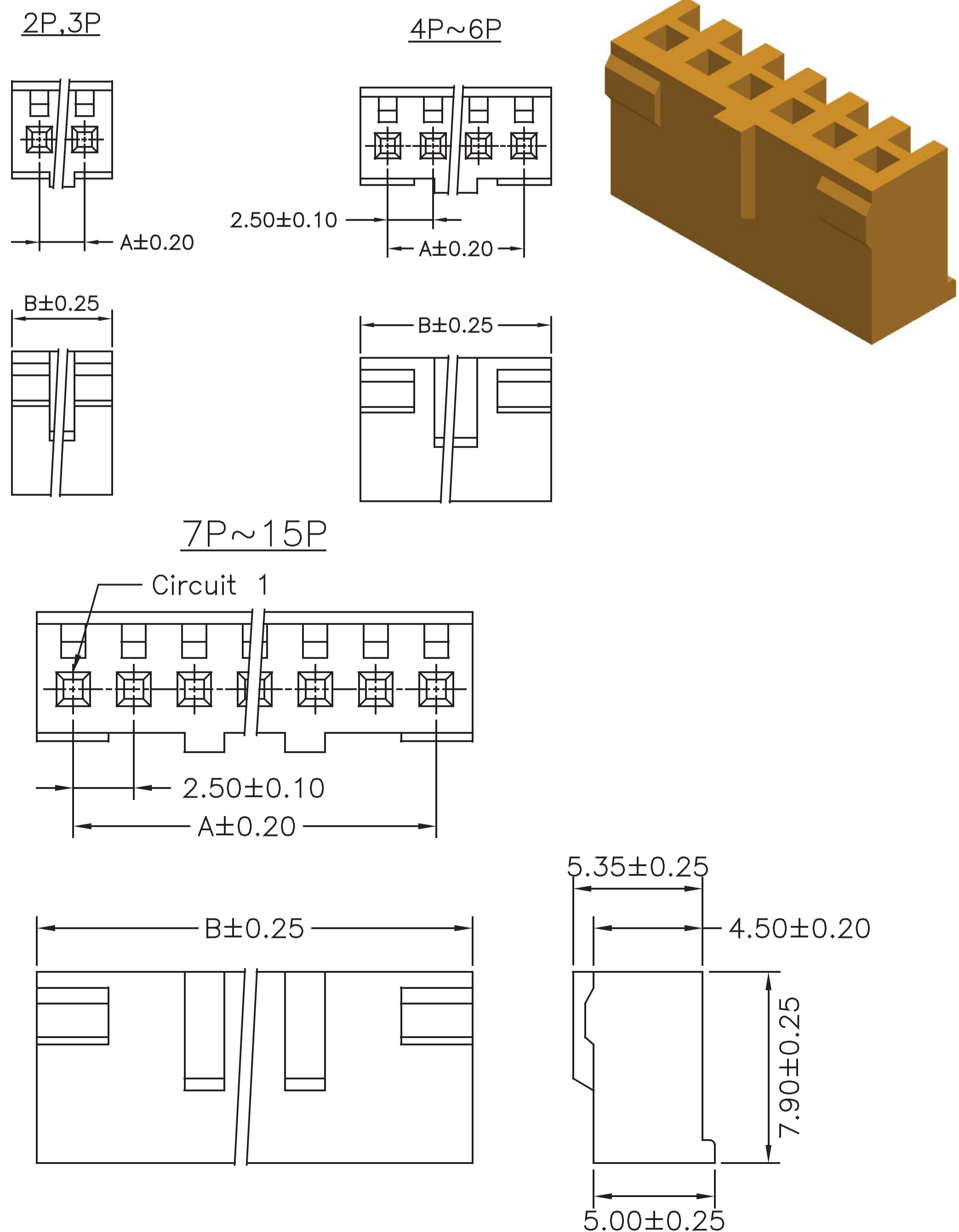
Part No.:2504-T-L

Wire Range AWG#22-#28	Insulation O.D. 1.70mm(max)	Material Phosphor Bronze	Finish Tin-plated	Qty/reel 10,000pcs
--------------------------	--------------------------------	-----------------------------	----------------------	-----------------------

SPECIFICATIONS

Current Rating: 3A AC,DC
 Voltage Rating: 500V AC,DC
 Temperature Range: -25°C ~ +85°C
 Contact Resistance: 20mΩ Max
 Insulation Resistance: 100MΩ Min
 Withstanding Voltage: 1500V AC/minute
 Material: Nylon 66,UL94V-0
 Pantone Color: 153C

PART NO.	Dimensions	
	A	B
2504H-02R-L	2.50	5.50
2504H-03R-L	5.00	8.00
2504H-04R-L	7.50	10.50
2504H-05R-L	10.00	13.00
2504H-06R-L	12.50	15.50
2504H-07R-L	15.00	18.00
2504H-08R-L	17.50	20.50
2504H-09R-L	20.00	23.00
2504H-10R-L	22.50	25.50
2504H-11R-L	25.00	28.00
2504H-12R-L	27.50	30.50
2504H-13R-L	30.00	33.00
2504H-14R-L	32.50	35.50
2504H-15R-L	35.00	38.00



Part No.:2504H-XXR-L